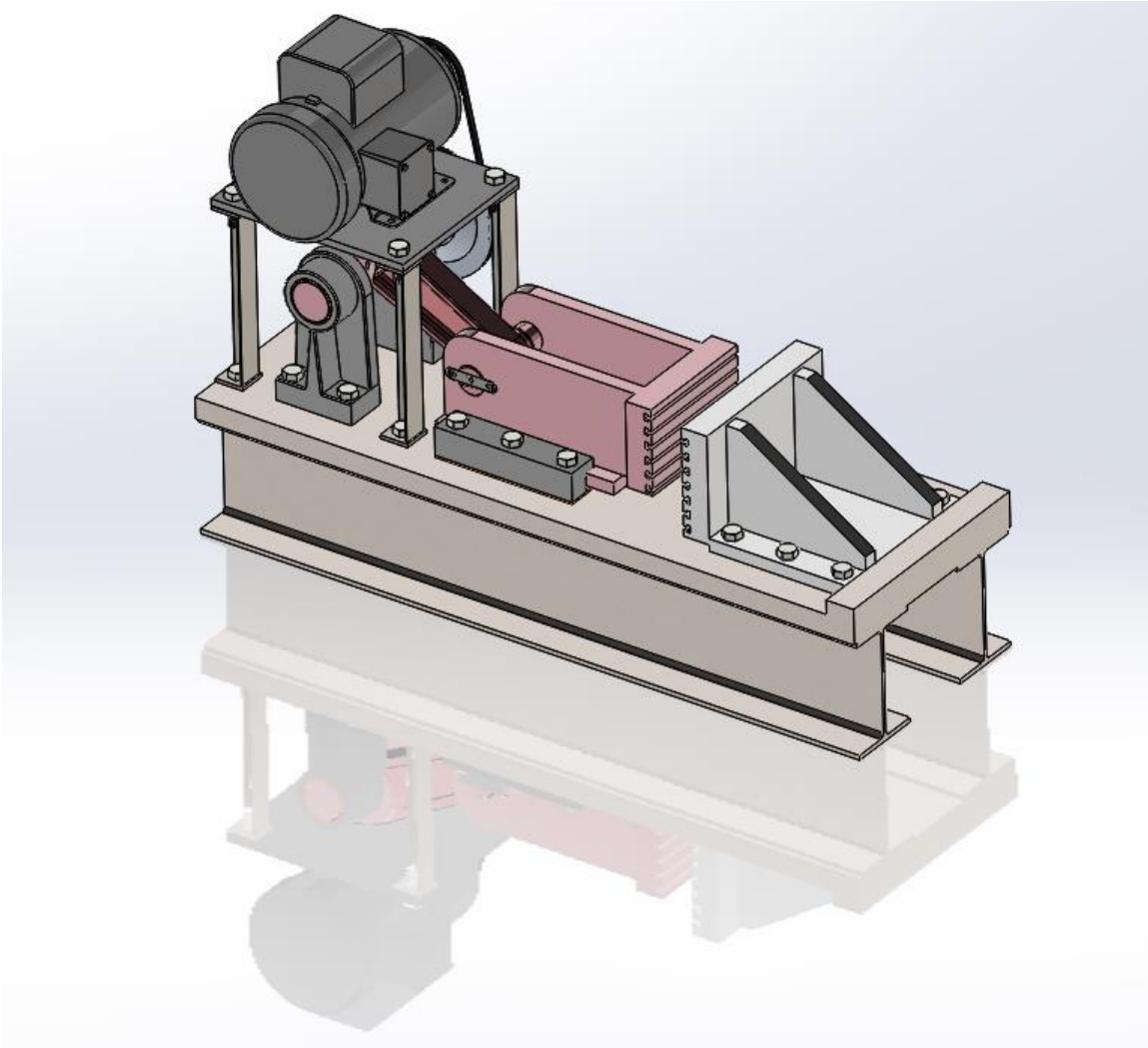


ARTECH engineering inc

P.O. Box 632
Lemont, IL. 60439

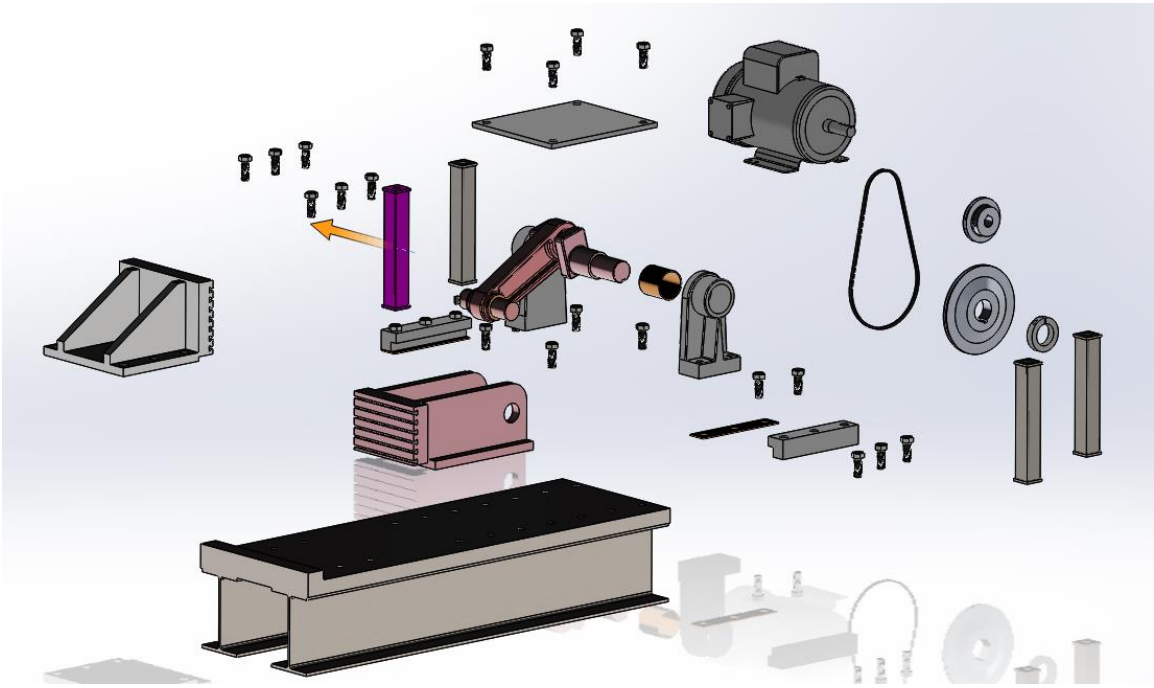
Phone & Fax: (630) 910-1870
E-mail: sales@artechengineering.com

~ SOLIDWORKS 2016 – Integrated Engineering ~



Solid Modeling - Interference Checking - Motion Analysis

Exploded Views



Finite Element Analysis

